

## 3 PIECES STAINLESS STEEL NPT THREADED BALL VALVE FULL BORE

### APPLICATION

**Area of use:** Chemical and pharmaceutical industries petro-chemical industries, hydraulic installations.



**Fluids:** water, steam, oil, compatible liquid products.



### GENERAL CHARACTERISTICS

**Range:** DN1/4" to DN2".

- Full bore, anti blow-out stem.
- Gland packing with elastic washer for backlash adjustment.
- With tie rods connecting the ends to the body.
- PTFE food seal in accordance with standard FDA n° 21 CFR 177.1550

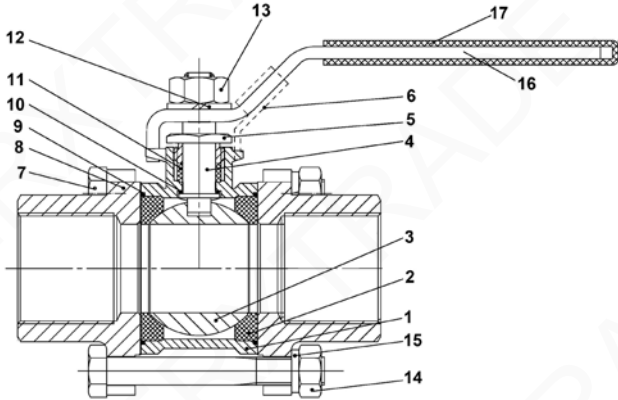
### STANDARDS

<b>Design</b>	Meets the requirements of European Directive 2014/68/UE: «Equipment under pressure» modulate H.
<b>Connection</b>	NPT according to ANSI B1.20.1.
<b>Test</b>	Pressure tests according to EN12266-1, DIN 3230, BS 5154 and ISO 5208. - Body : PS x 1.5 (bar) - Seat : PS x 1.1 (bar)

### PRODUCT APPROVALS

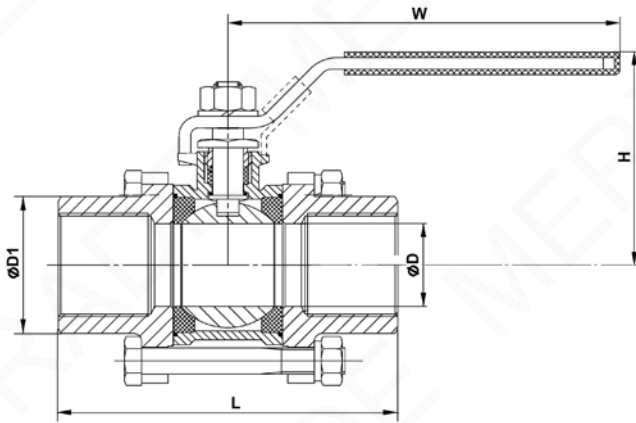


## CONSTRUCTION



Pos.	Q-ty	Description	Material
1	1	Body	Stainless steel CF8M
2	2	Seat	PTFE
3	1	Ball	Stainless steel 316
4	1	Stem	Stainless steel 316
5	1	Packing nut	Stainless steel 304
6	1	Locking device	Stainless steel 304
7	4-6	Screw	Stainless steel 304
8	2	End cap	Stainless steel CF8M
9	2	Gasket	PTFE
10	1	Thrust washer	PTFE
11	1	Packing	PTFE
12	1	Stem washer	Stainless steel 304
13	1	Stem nut	Stainless steel 304
14	4-6	Nut	Stainless steel 304
15	4-6	Spring washer	Stainless steel 304
16	1	Handle	Stainless steel 304
17	1	Sleeve	Plastic

## DIMENSIONS



DN		L	H	ØD	ØD1	W	Weight (kg)
mm	inch						
8	1/4"	55	52	11.6	19	105	0.280
10	3/8"	60	52	12.5	21	105	0.265
15	1/2"	75	55	15	26	105	0.440
20	3/4"	80	63	20	31	105	0.605
25	1"	90	70	25	38	137	0.820
32	1 1/4"	110	76	32	47	137	1.465
40	1 1/2"	120	89	38	54	182	1.795
50	2"	140	97	50	66	182	2.860

## WORKING CONDITIONS

Maximum working pressure : 1/4" - 2" : 63 bar

Maximum working temperature: -20°C /+200°C.

